

Electric actuator

- DE-P series
- DE-G series

► Model range / Selection Guide

VALVE SIZE		BALL VALVE (2WAY/10K/#150)	BUTTERFLY VALVE (10K/#150)		
1/2"	15A	DE-G series	DE002		
3/4"	20A		DE004		
1"	25A		DE005		
1-1/4"	32A		DE006		
1-1/2"	40A		DE008		
2"	50A	DE-P series	DE010	DE004	
2-1/2"	65A		DE016	DE005	
3"	80A		DE028	DE006	
4"	100A		DE040	DE008	
5"	125A		DE050	DE010	
6"	150A			DE016	DE010
8"	200A			DE028	DE016
10"	250A	DE040		DE028	
12"	300A	DE050		DE040	

The above data is for reference only; the actual assembly may be different depending on valve material, pressure, structure, fluid and operational environment.

► Model code

Q50-50-2AK3C11-OP

(a) (b) (c) (d) (e) (f) (g) (h)

(a)	(d)	(e)	(f)	(h)
Mechanism	Voltage	Color	ISO5211	OPTION
Q: Quarter turn	1A: 110V AC	K: Black	3: F03	WT: Watertight (IP68)
L: Linear	2A: 220V AC	L: Blue	5: F05	TS: Electric Torque switches
(b)	3A: 380V AC (DE016-DE050)	W: White	⋮	PU: Potentiometer unit
Model No.	4A: 440V AC (DE016-DE050)	R: Red	(g)	CT: Current transmitter
2: 002	2D: 24V DC (DE002-DE040)	G: Grey	STEM	MC: Modulating control
4: 004	1M: 100-240V AC (DE005)	M: Mint	C11: 11*11	(M42/M01/M21/M05/M15)
⋮	2M: 24V AC/DC (DE005)		C14: 14*14	MCT: MC with Torque switches
(c)			⋮	LC1: Local Control unit (1P)
Torque				LC3: Local Control unit (3P)
No.: No. *10Nm				CB2: 24V DC Control board (2Wire)
				CB3: 24V DC Control board (3Wire)

Plastic intermediate cap

There will be no rubbing off even when used for a long period or exposure to sunlight by the use of plastic cap, a non-printing method.


Terminal Box

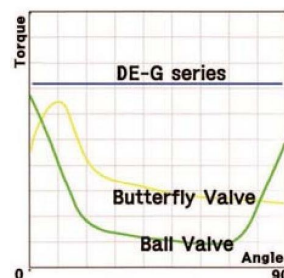
Safe and simple wiring is possible by just opening the terminal box without the need of opening & closing whole product. (except KE002)

Dome type indicator

Since indicator is exposed to the outside, it is easy to check the status of opening and closing of the valve at a distance.

Captive bolt

Bolts shall not be lost even though the cover is opened for wiring.



► PERFORMANCE

► DE002/DE004/DE006/DE008 (Single-voltage Type)

MODEL	MAX TORQUE (Nm)	OP. TIME 50Hz/60Hz(sec)	RATED CURRENT(A)			MOTOR CONDITION	MOTOR CLASS/OUTPUT (AC · DC)	No. OF HANDLE TURNS
			AC(1PH) 50/60Hz		DC			
			110V	220V	24V			
DE002-6G	20	17.5/14.5	0.29/0.25	0.12/0.1	1.5	DUTY 40%	E · B/10W · 10W	3
DE002-5G	10	7/6	0.29/0.25	0.12/0.1	1.5	DUTY 40%	E · B/10W · 10W	3
DE004-5G	40	12/10	0.67/0.6	0.23/0.2	2.0	DUTY 40%	E · B/10W · 10W	3
DE004-4G	15	8.5/7	0.67/0.6	0.23/0.2	2.0	DUTY 40%	E · B/10W · 10W	3
DE006-6G	60	18/15	0.67/0.6	0.23/0.2	2.0	DUTY 40%	E · B/10W · 10W	3
DE006-5G	25	8/6.5	0.67/0.6	0.23/0.2	2.0	DUTY 40%	E · B/10W · 10W	3
DE008-6G	80	17/14	0.53/0.50	0.33/0.29	2.5	DUTY 40%	F · B/10W · 10W	20
DE008-5G	40	8/6	0.53/0.50	0.33/0.29	2.5	DUTY 40%	F · B/10W · 10W	20

*Maximum current can be +30% from Rated current.

► DE005 (Multi-voltage type)

MODEL	MAX TORQUE (Nm)	OP. TIME 50Hz/60Hz (sec)	RATED CURRENT (A)		MOTOR CONDITION	MOTOR CLASS/OUTPUT (AC · DC)	No. OF HANDLE TURNS
			100V-250V AC	24V DC*			
DE005-8G	50	13	0.1~0.25	2.0	DUTY 40%	B · B/10W · 10W	18
DE005-7G	20	6	0.1~0.25	2.0	DUTY 40%	B · B/10W · 10W	18

*24V DC is Control Board embedded.

*Maximum current can be +30% from Rated current.

► STANDARD SPECIFICATION

► DE002/DE004/DE006/DE008

#Option

ENCLOSURE	WEATHER PROOF IP67
MAIN POWER	110V, 220V AC 1PH 50Hz/60Hz, 24V DC
MOTOR CONDITION	DUTY 40%
INDICATOR	DOME TYPE MECHANICAL INDICATOR
LIMIT SWITCHES	2EACH FOR OPEN & CLOSE (SPDT 240VAC/5A (Except KE002))
MANUAL OPERATION	(DE002-006) BY SPANNER 5mm (DE008) BY WRENCH 5mm (HEX.)
TRAVEL ANGLE	90°±5°
AMBIENT TEMPERATURE	-20°C~+60°C
EXTERNAL COATING	POWDER COATING
INSIDE HEATER	(DE002-006) N/A (DE008) 1PH 220V/110V AC (Only AC)
ISO5211, CH STEM, WEIGHT	(DE002) F03/F05, CH 11*11 DP15 0.9Kg (DE004) F03/F05/F07, CH 11*11 DP15, 1.5Kg #CH 14*14 DP16 (DE006) F03/F05/F07, CH 14*14 DP16 1.9Kg (DE008) F03/F05/F07, CH 14*14 DP16/ #F05/07, CH 17*17 DP19, 2.6Kg
CABLE ENTRY	(DE002) CABLE WIRE TYPE (PG11 WIRE 1000mm) (DE004/DE006) TERMINAL BOX TYPE (1-PF1/2) (DE008) TERMINAL BOX TYPE (2-PF1/2)

► DE005

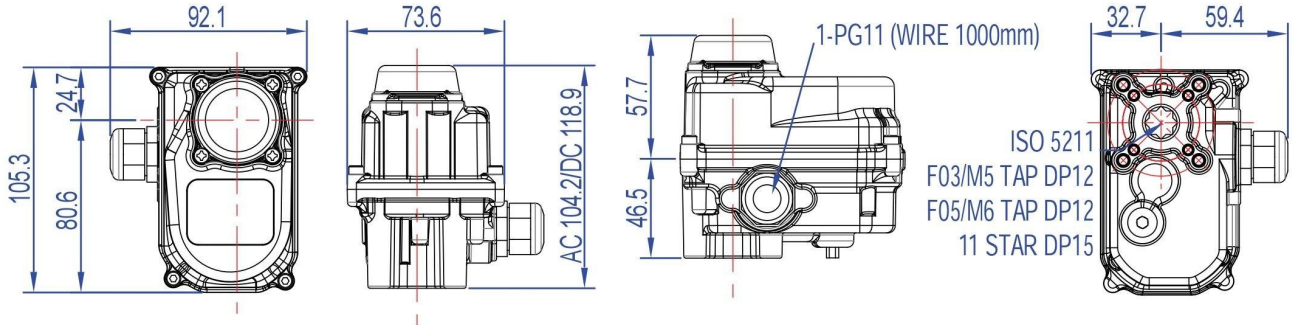
#Option

ENCLOSURE	WEATHER PROOF IP67
MAIN POWER	110V, 220V, AC 1PH, 50Hz/60Hz, 24V DC
MOTOR CONDITION	DUTY 40%
INDICATOR	DOME TYPE MECHANICAL INDICATOR
LIMIT SWITCHES	2EACH FOR OPEN & CLOSE (SPDT 250VAC/5A)
MANUAL OPERATION	BY WRENCH 5mm (HEX.)
TRAVEL ANGLE	90°±5°
AMBIENT TEMPERATURE	-20°C~+60°C
EXTERNAL COATING	POWDER COATING
INSIDE HEATER	HEATING ELEMENT ON PCB (Only AC)
ISO5211, CH STEM, WEIGHT	F03, F05, F07, CH 14*14 DP17, 1.3Kg #CH 11*11 DP15
CABLE ENTRY	TERMINAL BOX TYPE (1-PF1/2", #2-PF1/2")

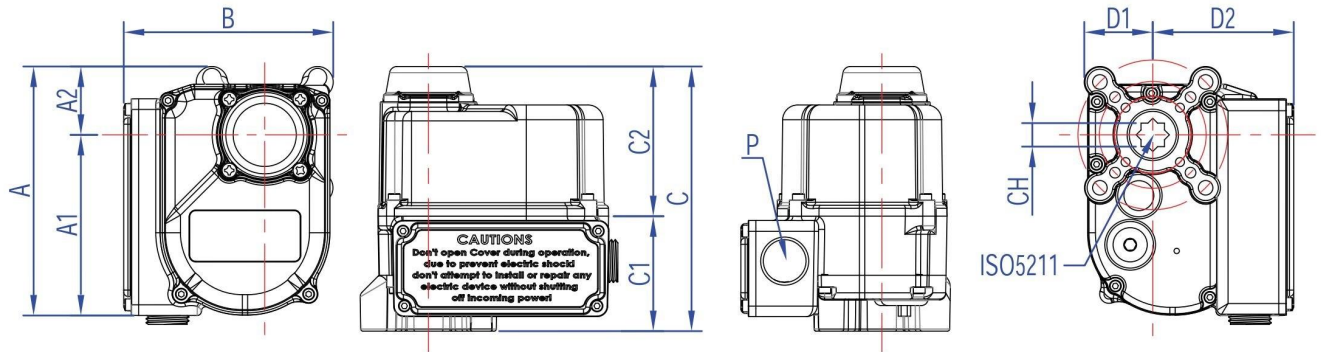
-There is a extra charge for 2-PF1/2".

► **DIMENSION**

DE002



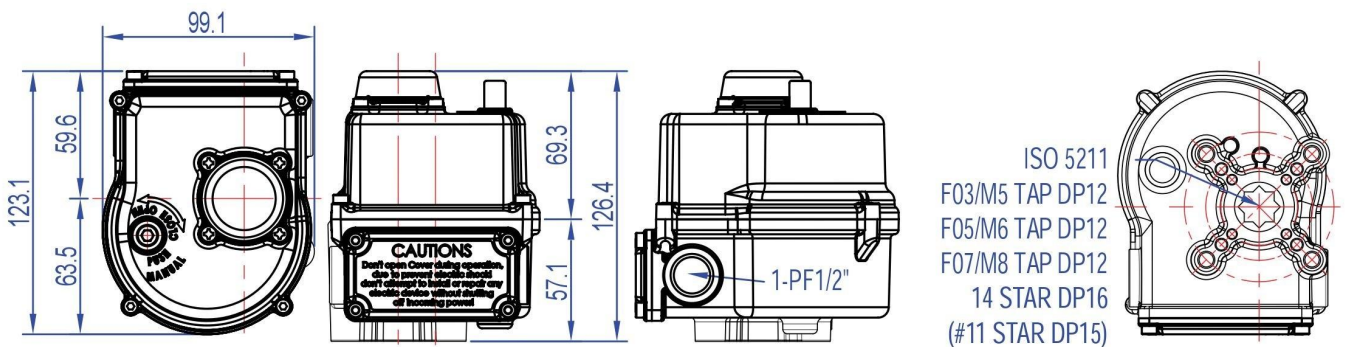
DE004/DE006/DE008



MODEL	A	A1	A2	B	C	C1	C2	ISO5211	P.C.D	N-M	CH	DTH	P
DE004	116.5	32	84.5	98.1	123.8	53.8	70	F03/F05/F07	36/50/70	4-M5/M6/M8	11*11 #14*14	15 16	1-PF1/2"
DE006	122	34.2	97.9	111.3	59	75.5	134.5	F03/F05/F07	36/50/70	4-M5/M6/M8	14*14	16 16	1-PF1/2"
DE008	125.3	33.7	91.6	122.3	81.5	74	155.5	¹⁾ F03/F05/F07 ¹⁾ #F05/07	36/50/70 50/70	4-M5/M6/M8 4-M6/M8	14*14 17*17	16 19	2-PF1/2"

1) You can choose only F03/F05/F07 with 14*14 or F05/f07 with 17*17.

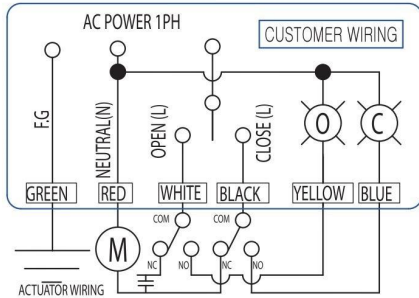
DE005



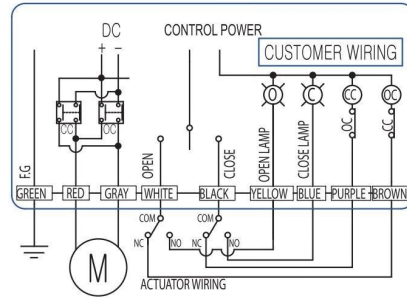
► **Wiring**

DE002

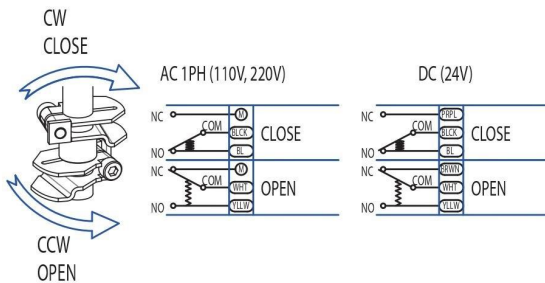
► AC 1PH



► DC 24V



► SWITCH WIRING (POSITION : FULL CLOSE)

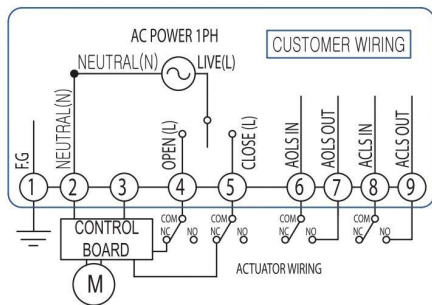


► LIMIT SWITCH OPERATION

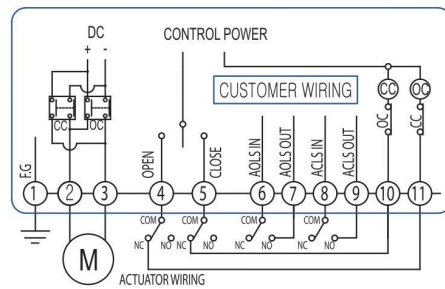
SWITCH	CLOSE	← INTERMEDIATE →	OPEN
CLS COM-NC		█	
CLS COM-NO	█		
OLS COM-NC		█	
OLS COM-NO	█		

DE004/DE006

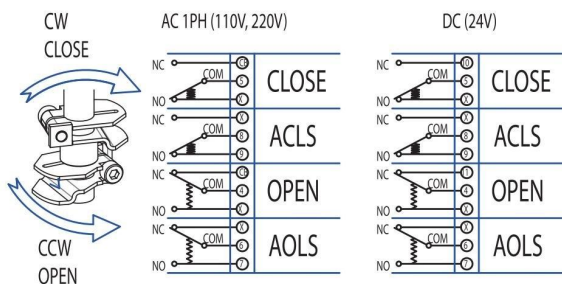
► AC 1PH



► DC 24V

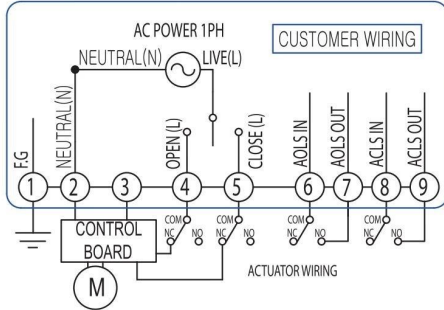
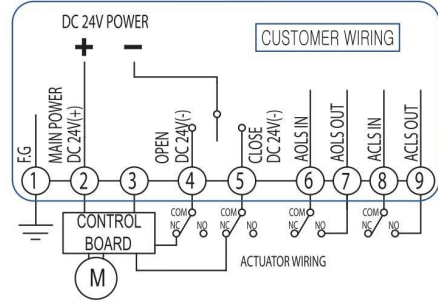
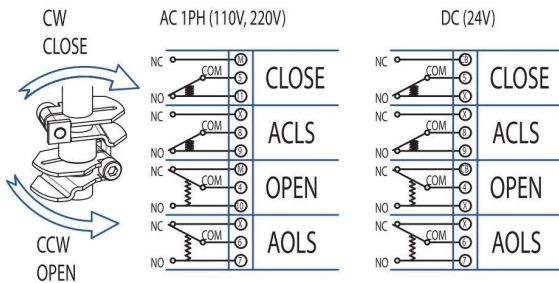


► SWITCH WIRING (POSITION : FULL CLOSE)

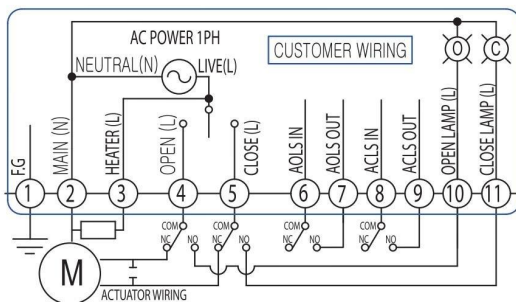
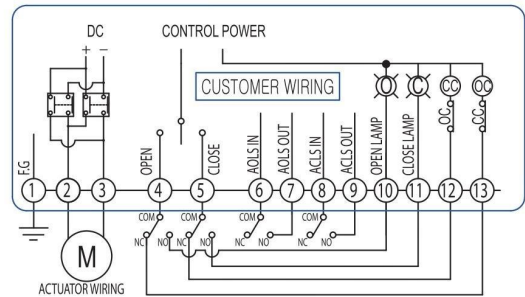
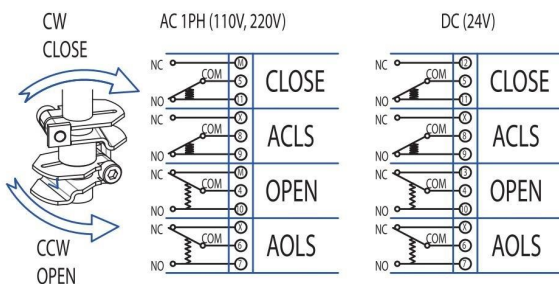


► LIMIT SWITCH OPERATION

SWITCH	CLOSE	← INTERMEDIATE →	OPEN
CLS COM-NC		█	
CLS COM-NO	█		
ACLS COM-NC		█	
ACLS COM-NO	█		
OLS COM-NC		█	
OLS COM-NO	█		
AOLS COM-NC		█	
AOLS COM-NO	█		

DE005
▶ AC 1PH

▶ DC 24V

▶ SWITCH WIRING (POSITION : FULL CLOSE)

▶ LIMIT SWITCH OPERATION

SWITCH	CLOSE	← INTERMEDIATE	→ OPEN
CLS COM-NC		█	
CLS COM-NO	█		
ACLS COM-NC			█
ACLS COM-NO	█		
OLS COM-NC			█
OLS COM-NO	█		
AOLS COM-NC			█
AOLS COM-NO	█		

DE008
▶ AC 1PH

▶ DC 24V

▶ SWITCH WIRING (POSITION : FULL CLOSE)

▶ LIMIT SWITCH OPERATION

SWITCH	CLOSE	← INTERMEDIATE	→ OPEN
CLS COM-NC		█	
CLS COM-NO	█		
ACLS COM-NC			█
ACLS COM-NO	█		
OLS COM-NC			█
OLS COM-NO	█		
AOLS COM-NC			█
AOLS COM-NO	█		